

SOLENOID VALVE

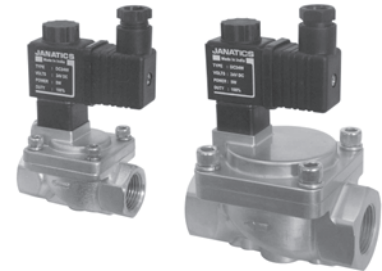
Series DMN

Cat No DMN - 01 - 01 - A

2/2 Normally Closed, pilot operated solenoid valve

Features

- Diaphragm operated poppet seat type
- Wide range of coil voltages
- Continues duty cycle
- Manual operator (push type)
- Good flow characteristics
- Compact in size



Technical Specifications

Ordering No.		DMN227A61	DMN227A62	DMN227A63	DMN229A64	DMN229A65
Port Size		G1/4	G3/8	G1/2	G3/4	G1
Type		2/2				
Design		Diaphragm type				
Medium		Air, Water, Inert Gas - Compressed air, filtered, lubricated				
Operating pressure		0.5 to 10 bar				
Ambient temperature		-10° to +60° C				
Medium temperature		+5° to +50° C				
Actuation type		Electrical				
Type of pilot control		Piloted				
Type of mounting		In-line installation				
Mounting position		Any				
Nominal size	mm	13	13	13	25	25
Standard nominal flow rate	lts/min	1600	3600	4000	10800	11800
Maximum tightening torque	N.m	14	24	30	40	52
Weight	kg	0.565	0.540	0.515	1.34	1.265
Materials of construction		Housing, Top cover: Brass, Diaphragm: Nitrile Other components: Stainless steel, Poly acetal, Steel, Polyamide, Brass				
Electrical						
Coil width		22 mm				
Voltage (V) ± 10%		AC (50 Hz) - 24, 48, 110, 220				
		DC - 12, 24, 48, 110				
Power consumption		AC - 6 VA, DC - 5 W				
Duty cycle		Continuous				
Class of insulation		Class F				
Type of coil protection		IP65				

Note: For water application

1. It is recommended to keep the solenoid valve in vertical position.
2. Do not remove the mesh provided in inlet port side.
3. Use of filter in the inlet side is highly recommended.
4. Use of soft water or water softener in the inlet side is highly recommended.

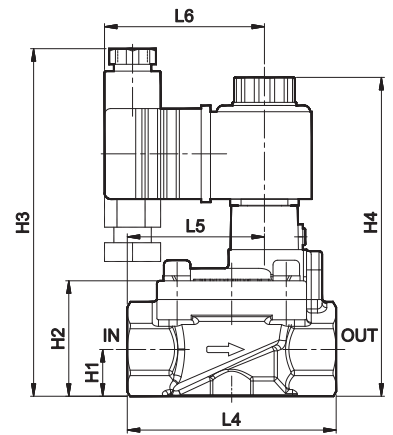
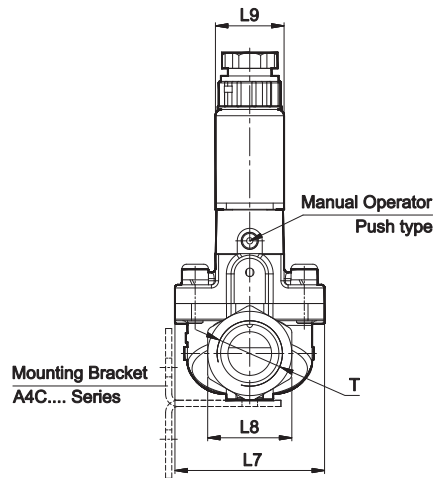
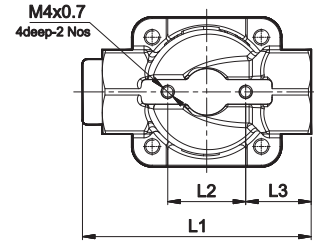
SOLENOID VALVE

Series DMN

Cat No DMN - 01 - 01 - A

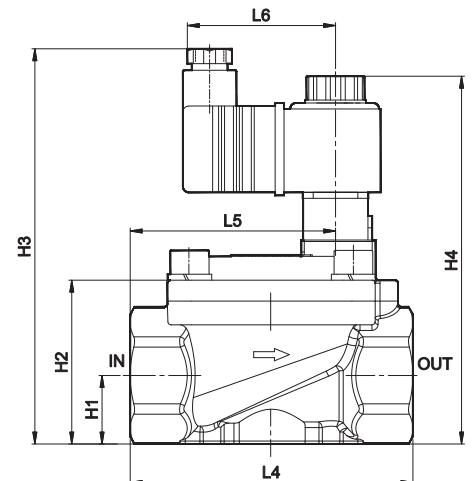
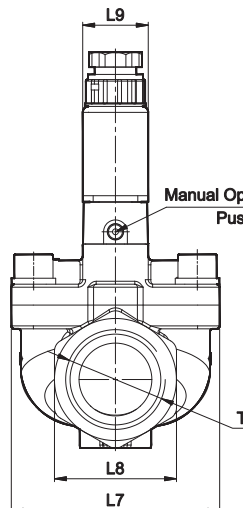
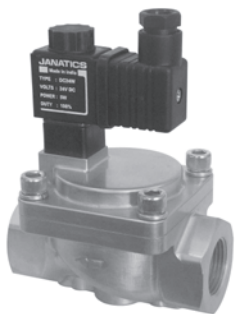
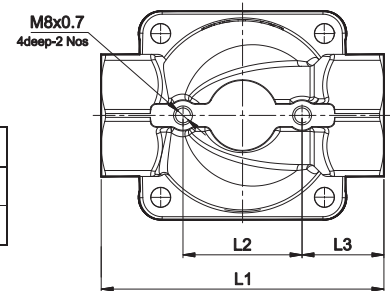
2/2 Normally Closed, pilot operated solenoid valve - G1/4, G3/8, G1/2

Model No	T	L1	L2	L3	L4	L5	L6	L7	L8	L9	H1	H2	H3	H4
DMN227A61	G1/4	74	25	21	67	44	51	SQ48	27 A/F	22	15	37	112	102.5
DMN227A62	G3/8	74	25	21	67	44	51	SQ48	27 A/F	22	15	37	112	102.5
DMN227A63	G1/2	74	25	21	67	44	51	SQ48	27 A/F	22	15	37	112	102.5



2/2 Normally Closed, pilot operated solenoid valve - G3/4, G1

Model No	T	L1	L2	L3	L4	L5	L6	L7	L8	L9	H1	H2	H3	H4
DMN229A64	G3/4	95	40	27.5	95	69	51	SQ70	41 A/F	22	23	55	133.5	124
DMN229A65	G1	95	40	27.5	95	69	51	SQ70	41 A/F	22	23	55	133.5	124

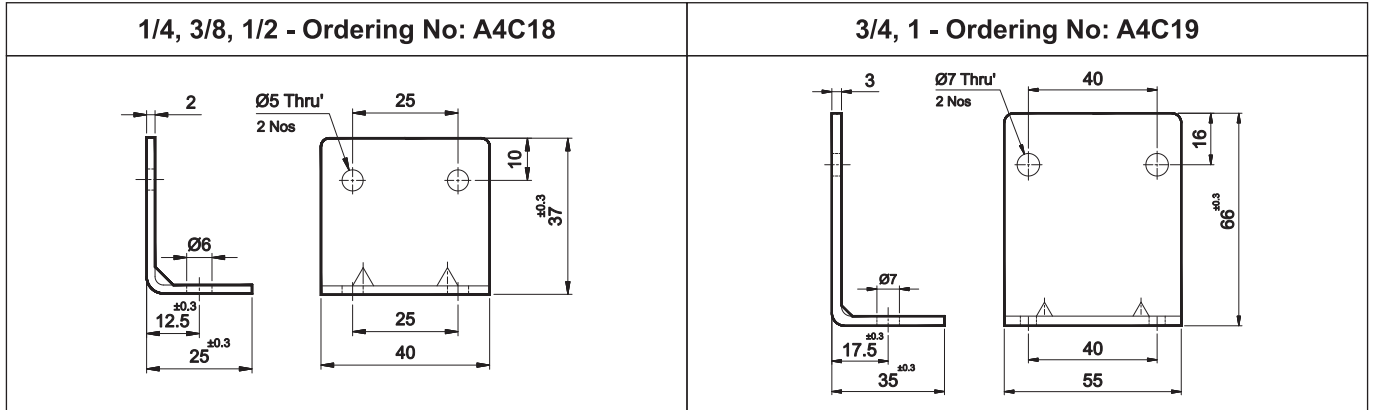


SOLENOID VALVE

Series DMN

Cat No DMN - 01 - 01 - A

Mounting bracket



How to order

1. Solenoid valve + “Connectors without LED”

While ordering Solenoid operated valves, please mention the suffix given below along with the model number to indicate the required voltage

A	220V AC	Q	110V DC
B	110V AC	S	48V DC
D	48V AC	W	24V DC
G	24V AC	R	12V DC

Example

- The ordering no. for 2/2 NC, pilot operated solenoid valve with 24V D.C coil is **DMN227A63-W**
- The ordering no. for 2/2 NC, pilot operated solenoid valve with 24V D.C coil with Moulded cable is **DMN227A63-W1**

2. Solenoid valve + “Connectors with LED”

While ordering Solenoid operated valves with LED connectors, given below in the corresponding tables.

Voltage		Housing Colour & Indication		LED colour	Connection type	
A	220V AC	T0		R	0	PG Cable entry
G	24V AC				1	Moulded cable (with 2metre length)
W	24V DC			T1		R
		Transparent housing with Bipolar LED indicator confirming supply voltage plus varistor to give over voltage protection to the source and load				

Example

The ordering no. for 2/2 NC, pilot operated solenoid valve, 24V D.C, connectors with LED of Transparent colour housing with Bipolar LED and varistor with moulded cable : **DMN227A63-WT1R1**

Subject to change